

CODO 90° L/R: RADIO LARGO S/R: RADIO CORTO

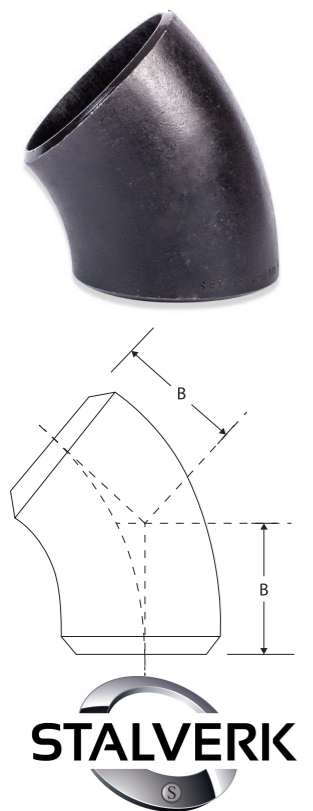
ASME B16.9



Diámetro nominal del tubo	Diámetro exterior (mm)	A (mm)		L/R Peso aproximado (Kg)			S/R Peso aprox. (Kg)	
		L/R	S/R	STD	XS	S40	STD	XS
1/2	21.3	38	-	0.07	0.10	0.07	-	-
3/4	26.7	29	-	0.10	0.12	0.10	-	-
1	33.4	38	25	0.15	0.18	0.15	0.10	0.12
1-1/4	42.2	48	32	0.25	0.33	0.25	0.16	0.21
1-1/2	48.3	57	38	0.35	0.48	0.35	0.23	0.31
2	60.3	76	51	0.65	0.88	0.65	0.42	0.58
2-1/2	73.0	95	64	1.30	1.70	1.30	0.86	1.13
3	88.9	114	76	2.02	2.72	2.02	1.35	1.81
3-1/2	101.6	133	-	2.81	3.90	2.81	1.87	2.60
4	114.3	152	102	3.82	5.35	3.82	2.55	3.56
5	141.3	190	127	6.55	9.22	6.55	4.36	6.15
6	168.3	229	152	10.12	15.30	10.12	6.75	10.20
8	219.1	305	203	20.40	30.91	20.40	13.60	20.60
10	273.0	381	254	36.16	48.75	36.16	24.11	32.5
12	323.8	457	305	52.82	69.90	52.20	35.21	46.6
14	355.6	533	-	67.86	89.74	79.20	-	-
16	406.4	610	-	88.95	117.93	118.20	-	-
18	457.0	686	-	112.99	149.67	167.57	-	-
20	508.0	762	-	139.82	185.33	219.15	-	-
24	610.0	914	-	202.02	268.08	366.03	-	-

CODO 45°

ASME B16.9

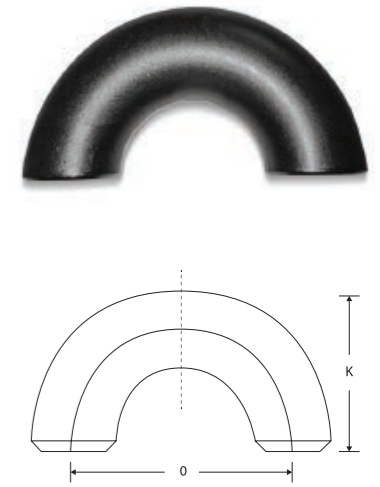


Diámetro nominal del tubo	Diámetro exterior (mm)	B	Peso aproximado (Kg)		
			STD	XS	S40
1	33.4	22	0.07	0.10	0.07
1-1/4	42.2	25	0.12	0.16	0.12
1-1/2	48.3	29	0.17	0.23	0.17
2	60.3	35	0.31	0.43	0.31
2-1/2	73.0	44	0.65	0.85	0.65
3	88.9	51	1.00	1.36	1.00
3-1/2	101.6	57	1.40	1.95	1.40
4	114.3	64	1.92	2.67	1.92
5	141.3	79	3.27	4.61	3.27
6	168.3	95	5.05	7.65	5.05
8	219.1	127	10.20	15.46	10.20
10	273.0	159	18.08	24.37	18.08
12	323.8	190	26.40	34.95	28.60
14	355.6	222	33.92	44.87	39.60
16	406.4	254	44.47	58.96	59.10
18	457.0	286	56.50	74.83	83.79
20	508.0	343	69.91	92.67	109.57
24	610.0	381	101.01	134.04	183.01

CODO 180°

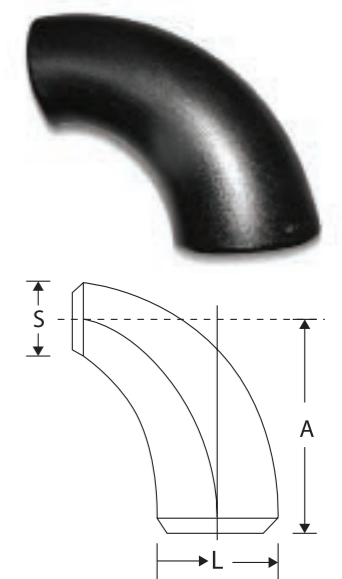
ASME B16.9

Diámetro nominal del tubo	Diámetro exterior (mm)	O (mm)		L/R Peso aprox. (Kg)	
		L/R	L/R	STD	XS
3/4	26.7	57	43	0.18	0.20
1	33.4	76	56	0.30	0.37
1-1/4	42.2	95	70	0.50	0.66
1-1/2	48.3	114	83	0.72	0.96
2	60.3	152	106	1.30	1.77
2-1/2	73.0	190	132	2.60	3.40
3	88.9	229	159	4.05	5.46
3-1/2	101.6	267	184	5.63	7.81
4	114.3	305	210	7.65	10.71
5	141.3	381	262	13.10	18.45
6	168.3	457	313	20.25	30.60

**CODO REDUCTOR L/R 90°**

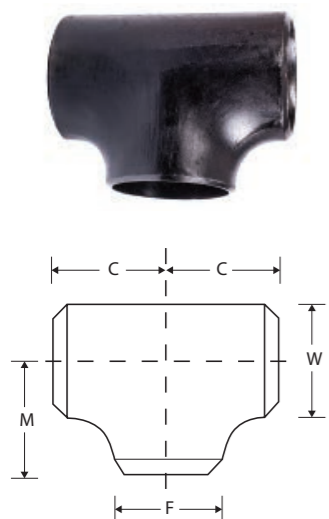
ASME B16.9

Diámetro nominal del tubo	Diámetro exterior (mm)	O (mm)		L/R Peso aprox. (Kg)	
		L/R	L/R	STD	XS
2x1-1/2	76	60.3	48.3	0.67	0.90
2-1/2x1-1/2	95	73.0	48.3	1.35	1.81
2-1/2x2	95	73.0	60.3	1.35	1.81
3x2	114	88.9	60.3	2.05	2.72
3x2-1/2	114	88.9	73.0	2.05	2.72
4x2-1/2	152	114.3	73.0	4.08	5.45
4x3	152	114.3	88.9	4.08	5.45
5x4	190	141.3	114.3	6.81	9.08
6x4	229	168.3	114.3	10.9	14.55
6x5	229	168.3	141.3	10.9	14.55



TEES REDUCTORAS

ASME B16.9

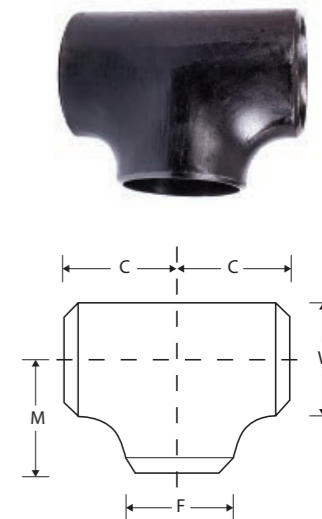


Diámetro nominal del tubo	W (mm)	F (mm)	M (mm)	C (mm)	Peso Aprox. (Kg)	
					STD	XS
3/4x1/2	26.7	21.3	29	29	0.15	0.19
1x1/2	33.4	21.3	38	38	0.32	0.38
1x3/4	33.4	26.7	38	38	0.32	0.38
1-1/4x1/2	42.2	21.3	48	48	0.52	0.70
1-1/4x3/4	42.2	26.7	48	48	0.52	0.70
1-1/4x1	42.2	33.4	48	48	0.52	0.70
1-1/2x1/2	48.3	21.3	57	57	0.68	0.99
1-1/2x3/4	48.3	26.7	57	57	0.68	0.99
1-1/2x1	48.3	33.4	57	57	0.71	0.99
1-1/2x1-1/4	48.3	42.2	57	57	0.71	1.02
2x1/2	60.3	21.3	64	64	0.82	1.30
2x3/4	60.3	26.7	64	64	0.85	1.30
2x1	60.3	33.4	64	64	0.92	1.30
2x1-1/4	60.3	42.2	64	64	0.97	1.49
2x1-1/2	60.3	48.3	64	64	1.06	1.49
2-1/2x1/2	73.0	21.3	76	76	1.67	2.18
2-1/2x3/4	73.0	26.7	76	76	1.67	2.18
2-1/2x1	73.0	33.4	76	76	1.71	2.18
2-1/2x1-1/4	73.0	42.2	76	76	1.73	2.18
2-1/2x1-1/2	73.0	48.3	76	76	1.78	2.18
2-1/2x2	73.0	60.3	76	76	1.86	2.40
3x1	88.9	33.4	86	86	2.42	3.27
3x1-1/4	88.9	42.2	86	86	2.42	3.27
3x1-1/2	88.9	48.3	86	86	2.42	3.38
3x2	88.9	60.3	86	86	2.52	3.60
3x2-1/2	88.9	73.0	86	86	2.80	3.81
4x1-1/4	114.3	42.2	105	105	4.06	6.00
4x1-1/2	114.3	48.3	105	105	4.10	6.00
4x2	114.3	60.3	105	105	4.20	6.00
4x2-1/2	114.3	73.0	105	105	4.20	6.00
4x3	114.3	88.9	105	105	4.55	6.45
5x2	141.3	60.3	124	124	6.27	9.36
5x2-1/2	141.3	73.0	124	124	6.66	9.72
5x3	141.3	88.9	124	124	6.73	9.72
5x4	141.3	114.3	125	125	7.12	10.00
6x2	168.3	60.3	143	143	9.51	15.36
6x2-1/2	168.3	73.0	143	143	9.60	15.36
6x3	168.3	88.9	143	143	10.01	15.51
6x4	168.3	114.3	143	143	10.10	15.51
6x5	168.3	141.3	143	143	10.20	15.90
8x3	219.1	88.9	178	178	17.66	-
8x4	219.1	114.3	178	178	17.95	27.81
8x5	219.1	141.3	178	178	19.46	28.18
8x6	219.1	168.3	178	178	19.46	28.79
10x4	273.0	114.3	216	216	30.30	-
10x5	273.0	141.3	216	216	30.86	-
10x6	273.0	168.0	216	216	30.86	-
10x8	273.0	219.1	216	216	33.40	-
12x6	323.8	168.3	254	254	46.35	-
12x8	323.8	219.1	254	254	46.35	-
12x10	323.8	273.0	254	254	47.38	-

**TEES RECTAS**

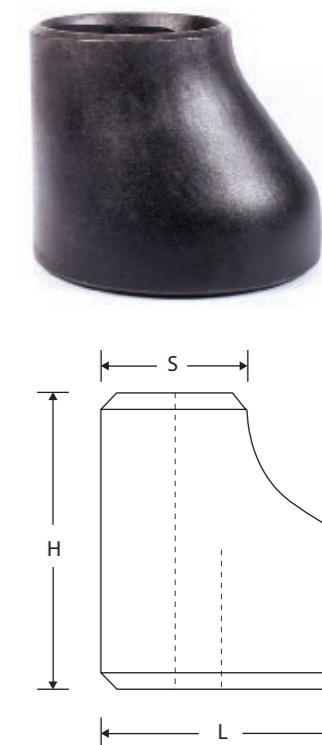
ASME B16.9

Diámetro nominal del tubo	W (mm)	F (mm)	M (mm)	C (mm)	Peso Aprox. (Kg)	
					STD	XS
1/2	21.3	21.3	25.0	25.0	0.10	0.13
3/4	26.7	26.7	29.0	29.0	0.16	0.19
1	33.4	33.4	38.0	38.0	0.32	0.40
1-1/4	42.2	42.2	48.0	48.0	0.52	0.70
1-1/2	48.3	48.3	57.0	57.0	0.75	1.03
2	60.3	60.3	64.0	64.0	1.09	1.49
2-1/2	73.0	73.0	76.0	76.0	2.00	2.54
3	88.9	88.9	86.0	86.0	2.83	3.81
3-1/2	101.6	101.6	95.0	95.0	3.85	5.00
4	114.3	114.3	105.0	105.0	4.81	6.80
5	141.3	141.3	124.0	124.0	7.27	10.19
6	168.3	168.3	143.0	143.0	10.20	16.20
8	219.1	219.1	178.0	178.0	19.63	28.79
10	273.0	273.0	216.0	216.0	33.63	-
12	323.8	323.8	254.0	254.0	47.72	-

**REDUCCIÓN CONCÉNTRICA SOLDABLE**

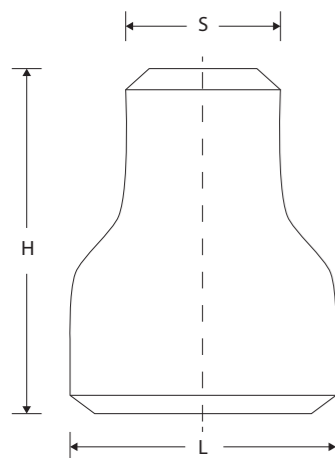
ASME B16.9

Diámetro nominal del tubo	L (mm)	S (mm)	H (mm)	Peso Aprox. (Kg)	
				STD	XS
3/4x1/2	26,7	21,3	38	0,05	0,07
1x1/2	33,4	21,3	51	0,12	0,15
1x3/4	33,4	26,7	51	0,12	0,15
1-1/4x1	42,2	33,4	51	0,17	0,23
1-1/2x1	48,3	33,4	64	0,25	0,34
1-1/2x1-1/4	48,3	42,2	64	0,25	0,34
2x1	60,3	33,4	76	0,42	0,56
2x1-1/4	60,3	42,2	76	0,42	0,56
2x1-1/2	60,3	48,3	76	0,42	0,56
2-1/2x1-1/2	73,0	48,3	89	0,78	1,00
2-1/2x2	73,0	60,3	89	0,78	1,00
3x1-1/2	88,9	48,3	89	1,00	1,35
3x2	88,9	60,3	89	1,00	1,35
3x2-1/2	88,9	73,0	89	1,00	1,35
4x1-1/2	114,3	48,3	102	1,65	2,26
4x2	114,3	60,3	102	1,65	2,26
4x2-1/2	114,3	73,0	102	1,65	2,26
4x3	114,3	88,9	102	1,65	2,26
5x3	141,3	88,9	127	2,80	3,90
5x4	141,3	114,3	127	2,80	3,90
6x3	168,3	88,9	140	3,86	5,85
6x4	168,3	114,3	140	3,86	5,85
6x5	168,3	141,3	140	3,86	5,85
8x4	219,1	114,3	152	6,50	9,85
8x5	219,1	141,3	152	6,50	9,85
8x6	219,1	168,3	152	6,50	9,85
10x8	273,0	219,1	178	11,25	14,50
12x8	323,8	219,1	203	14,83	19,62
12x10	323,8	273,0	203	14,83	19,62
14x10	355,6	273,0	330	26,83	35,55
14x12	355,6	323,8	330	26,83	35,55
16x10	406,4	273,0	356	32,11	42,58
16x12	406,4	323,8	356	32,11	42,58
16x14	406,4	355,6	356	32,11	42,58



REDUCCIÓN CONCÉNTRICA SOLDABLE

ASME B16.9



Diámetro nominal del tubo	L (mm)	S (mm)	H (mm)	Peso Aprox. (Kg)	
				STD	XS
3/4x1/2	26.7	21.3	38	0.05	0.07
1x1/2	33.4	21.3	51	0.12	0.15
1x3/4	33.4	26.7	51	0.12	0.15
1-1/4x1/2	42.2	21.3	51	0.16	0.22
1-1/4x3/4	42.2	26.7	51	0.16	0.22
1-1/4x1	42.2	33.4	51	0.16	0.22
1-1/2x1/2	48.3	21.3	64	0.25	0.33
1-1/2x3/4	48.3	26.7	64	0.25	0.33
1-1/2x1	48.3	33.4	64	0.25	0.33
1-1/2x1-1/4	48.3	42.2	64	0.25	0.33
2x1/2	60.3	21.3	76	0.40	0.55
2x3/4	60.3	26.7	76	0.40	0.55
2x1	60.3	33.4	76	0.40	0.55
2x1-1/4	60.3	42.2	76	0.40	0.55
2x1-1/2	60.3	48.3	76	0.40	0.55
2-1/2x1	73.0	33.4	89	0.76	1.00
2-1/2x1-1/4	73.0	42.2	89	0.76	1.00
2-1/2x1-1/2	73.0	48.3	89	0.76	1.00
2-1/2x2	73.0	60.3	89	0.76	1.00
3x1	88.9	33.4	89	1.00	1.35
3x1-1/4	88.9	42.2	89	1.00	1.35
3x1-1/2	88.9	48.3	89	1.00	1.35
3x2	88.9	60.3	89	1.00	1.35
3x2-1/2	88.9	73.0	89	1.00	1.35
3-1/2x3	101.6	88.9	102	1.26	1.85
4x1	114.3	33.4	102	1.60	2.25
4x1-1/4	114.3	42.2	102	1.60	2.25
4x1-1/2	114.3	48.3	102	1.60	2.25
4x2	114.3	60.3	102	1.60	2.25
4x2-1/2	114.3	73.0	102	1.60	2.25
4x3	114.3	88.9	102	1.60	2.25
4x3-1/2	114.3	101.6	102	1.60	2.25
5x2	141.3	60.3	127	2.72	3.85
5x2-1/2	141.3	73.0	127	2.72	3.85
5x3	141.3	88.9	127	2.72	3.85
5x4	141.3	114.3	127	2.72	3.85
6x2	168.3	60.3	140	3.95	5.85
6x2-1/2	168.3	73.0	140	3.95	5.85
6x3	168.3	88.9	140	3.95	5.85
6x4	168.3	114.3	140	3.95	5.85



TAPÓN CAPA DE ACERO AL CARBÓN

ASME B16.9

Diámetro nominal del tubo	Diámetro exterior	E (mm)	CAP. Peso aproximado (Kg)	
			STD	XS
1-1/4	42.2	38	0.14	0.17
1-1/2	48.3	38	0.16	0.21
2	60.3	38	0.23	0.30
2-1/2	73.0	38	0.36	0.46
3	88.9	51	0.64	0.83
4	114.3	64	1.15	1.55
5	141.3	76	1.90	2.60
6	168.3	89	2.90	4.20
8	219.1	102	5.13	7.40
10	273.0	127	9.09	11.95
12	323.8	152	13.40	17.26
14	355.6	165	16.58	21.35
16	406.4	178	19.76	26.26

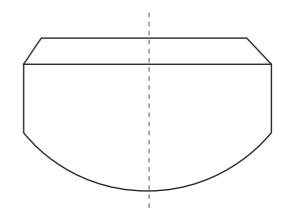


TABLA DE GROSOR NOMINAL

SCH: CEDULA

Diámetro nominal del tubo	STD	SCH40	XS.XH	SCH80	SCH160	XXS
1/2	2.8	2.8	3.7	3.7	4.7	7.5
3/4	2.9	2.9	3.9	3.9	5.5	7.8
1	3.4	3.4	4.5	4.5	6.4	9.1
1-1/4	3.6	3.6	4.9	4.9	6.4	9.7
1-1/2	3.7	3.7	5.1	5.1	7.1	10.2
2	3.9	3.9	5.5	5.5	8.7	11.1
2-1/2	5.2	5.2	7.0	7.0	9.5	14.0
3	5.5	5.5	7.6	7.6	11.1	15.2
3-1/2	5.7	5.7	8.1	8.1	-	-
4	6.0	6.0	8.6	8.6	13.5	17.1
5	6.6	6.6	9.5	9.5	15.9	19.1
6	7.1	7.1	11.0	11.0	18.2	21.9
8	8.2	8.2	12.7	12.7	23.0	22.2
10	9.3	9.3	12.7	15.1	28.6	-
12	9.5	10.3	12.7	17.4	33.3	-
14	9.5	11.1	12.7	19.1	35.7	-
16	9.5	12.7	12.7	21.4	40.5	-
18	9.5	14.3	12.7	23.8	45.2	-
20	9.5	15.1	12.7	26.2	50.0	-
24	9.5	17.5	12.7	31.0	59.5	-

TOLERANCIA DIMENSIONAL (MM)

Medidas	Artículos	Medidas			
		1/2"-2-1/2"	3"-4"	5"-8"	10"-18"
Todas las medidas	Diámetro exterior en bisel	+1.6 -0.8	±1.6	+2.4 -1.6	+4.0 -3.2
	Diámetro del extremo interior	±0.8	±1.6	±1.6	±3.2
	espesor de la pared	No menos del 87.5% del espesor nominal			
45° & 90° L / Tees	Del Centro al final [A,B,C,M]	±2	±2	±2	±2
Reductores	Longitud total [H]	±2	±2	±2	±2
Tapas	Longitud total [E]	±3	±3	±6	±6
Codos 180°	De centro a centro [O]	±6	±6	±6	±10
	Trasera a cara [K]	±6	±6	±6	±6

TODA NUESTRA CONEXIÓN ESTA APROBADA POR LA NORMA NACE MR0175-2007

